

## Watch Movement Specification and Drawing

Standard Mechanical Movement

# NH05B



Movement Size: **7 3/4"**  
 Diameter: **Φ17.50mm** (Φ19.80mm with Dial support)  
 Height: **5.92mm** (with Dial support)

Items	Ver.	Items	Ver.
Specification	1		
Appearance - 1	1		
Appearance - 2	2		
Casing	1		
Hand Fitting	1		
Hand Setting Stem	2		
Dial - 1	1		
Dial - 2	1		
Casing Ring	1		
Assembly Plan	1		
Hands	1		

## CAL.NH05B 7¼ Ligne Mechanical Movement

### Three Hands with Date

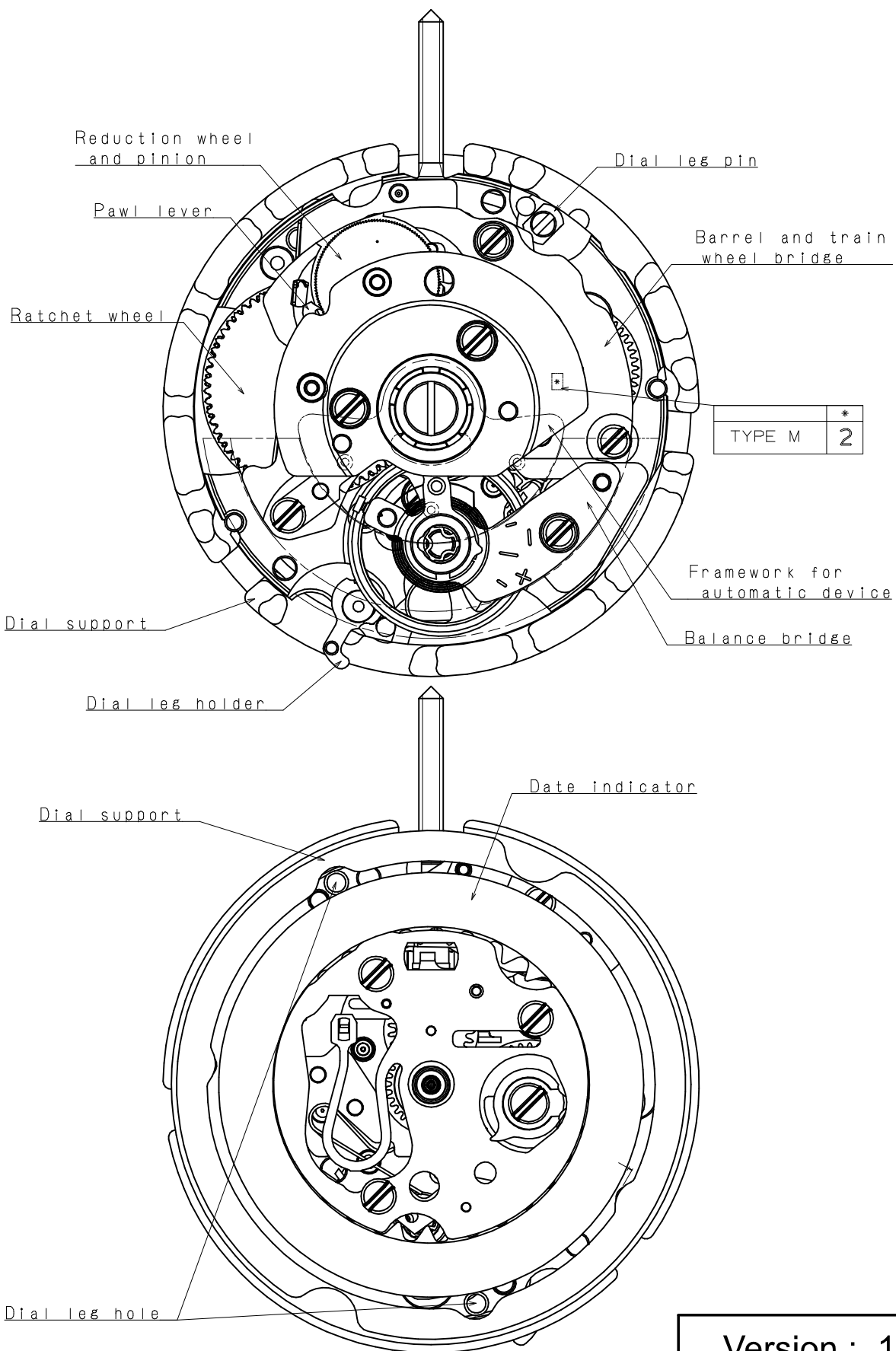
#### 1. FUNCTION

- Jewel 21 jewels
- Accuracy -35 ~ +55 seconds / day ( 23 ± 2 °C )
- Regulation hands unbalance
  - Hour hand : Less than 1.00 µN·m ( 100 mg·mm )
  - Minute hand : Less than 0.75 µN·m ( 75 mg·mm )
  - Second hand : Less than 0.11 µN·m ( 11 mg·mm )
- Additional function
  - Manual winding
  - Automatic winding with ball bearing
  - Both winding with one way clutch
  - Date display with quick date correction

#### 2. USE AND TEST CONDITION

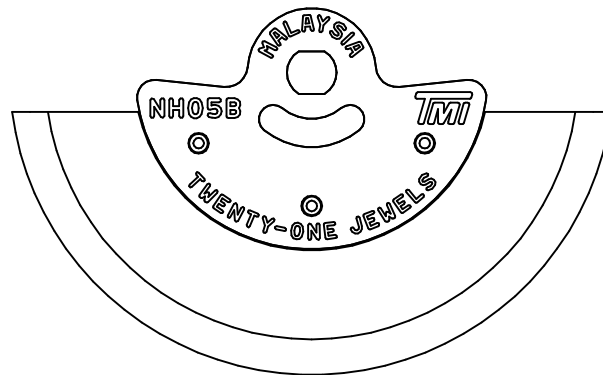
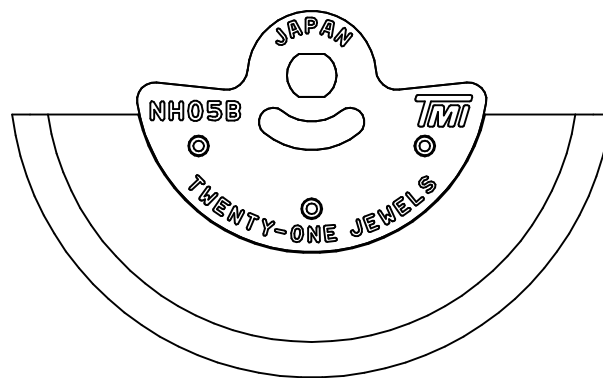
- Vibration frequency 21,600 vibrations per hour
- Duration time More than 40 hours
- Antimagnetic  $\geq 4800$  A / m (Direct current magnetic field)
- Test of accuracy 20 seconds (Duration of measurement)
- Casing Non-corresponding with Diver's watch

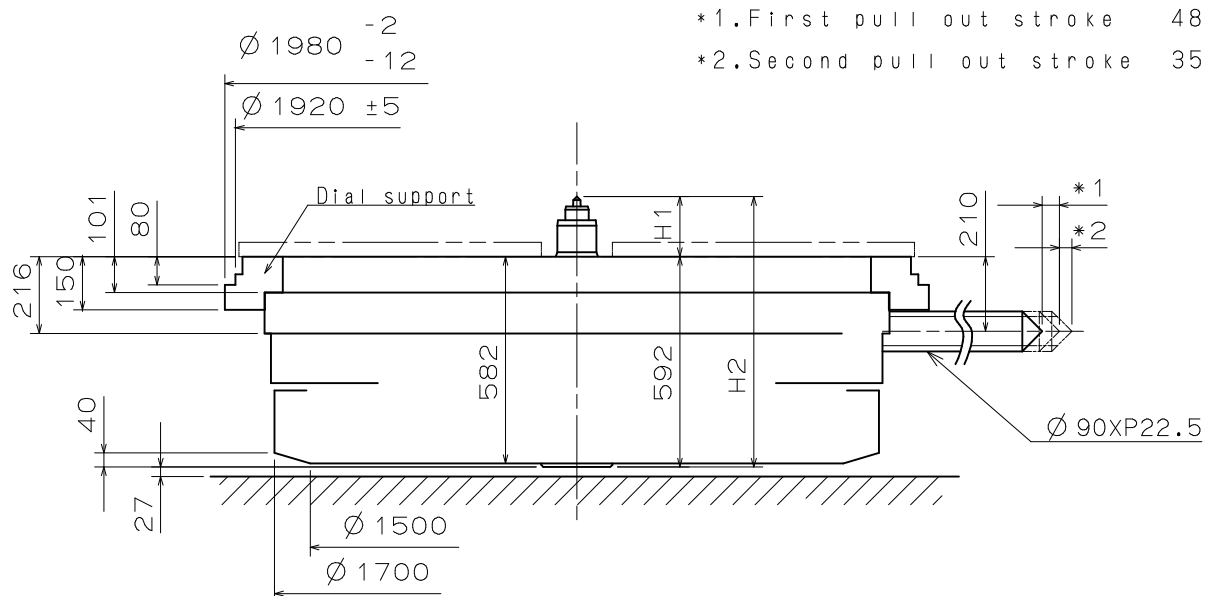
\* All specifications are subject to change without notice.



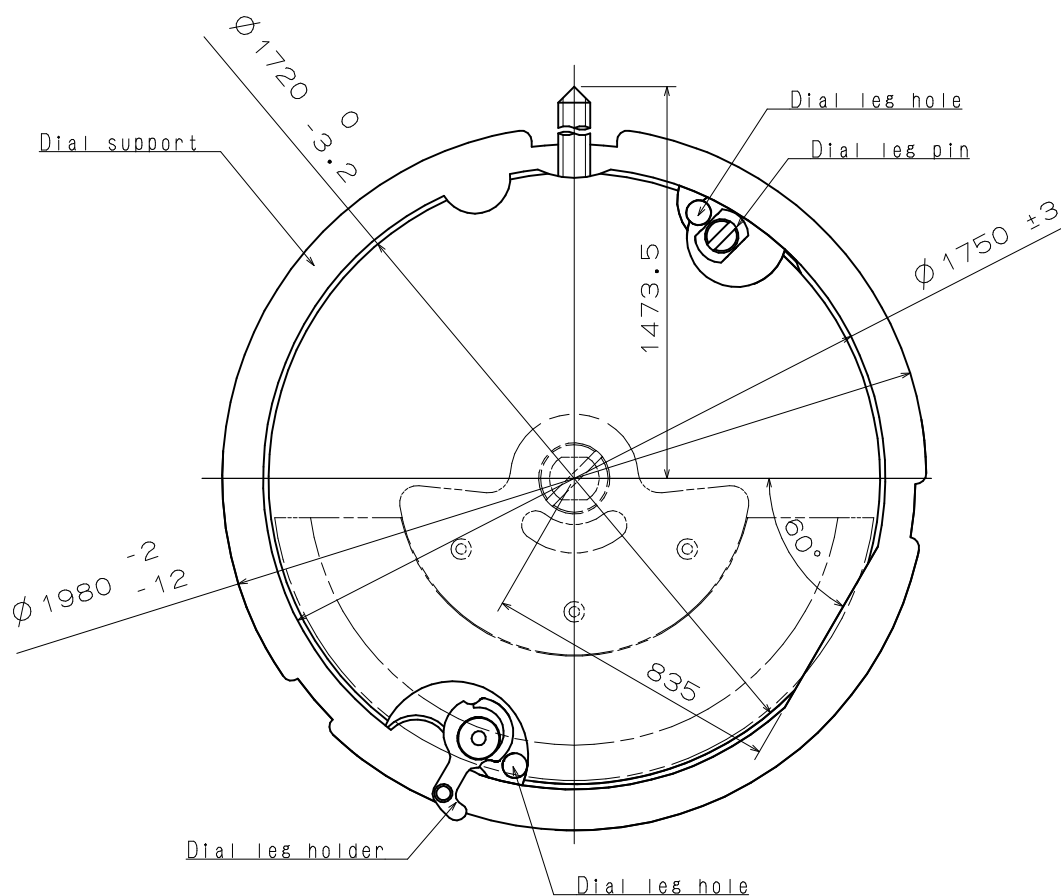
Oscillating weight

Marking	Country of origin
JAPAN	JAPAN
MALAYSIA	MALAYSIA



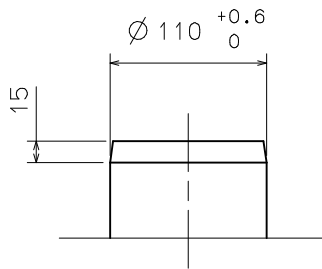


Center post	中心柱位	TYPE M 一般針高
Maximum height from dial support surface 與錶面墊圈平面的最大高度	H1	168.4
Total height incl. movement 機芯總高度	H2	760.4

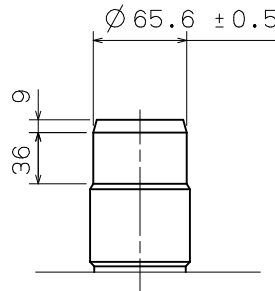


Hour hand unbalance  $\leq 1.00\mu\text{N}\cdot\text{m}(100\text{mg}\cdot\text{mm})$   
 Minute hand unbalance  $\leq 0.75\mu\text{N}\cdot\text{m}(75\text{mg}\cdot\text{mm})$   
 Second hand unbalance  $\leq 0.11\mu\text{N}\cdot\text{m}(11\text{mg}\cdot\text{mm})$

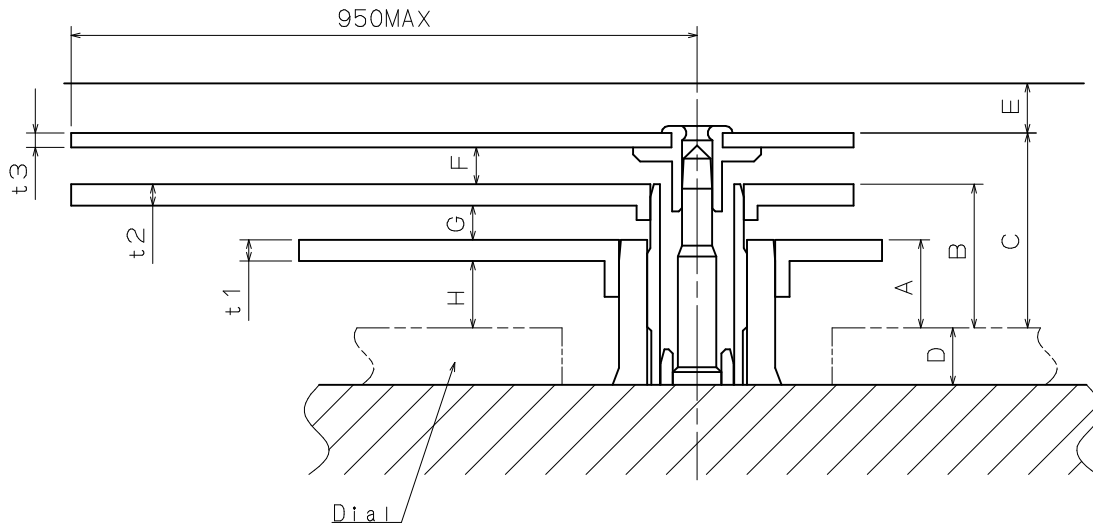
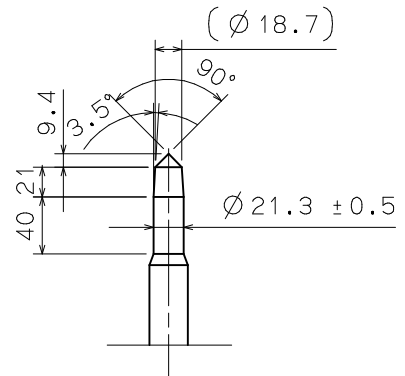
HOURLY HAND FITTING  
 Hour wheel 時針輪: 0271 425



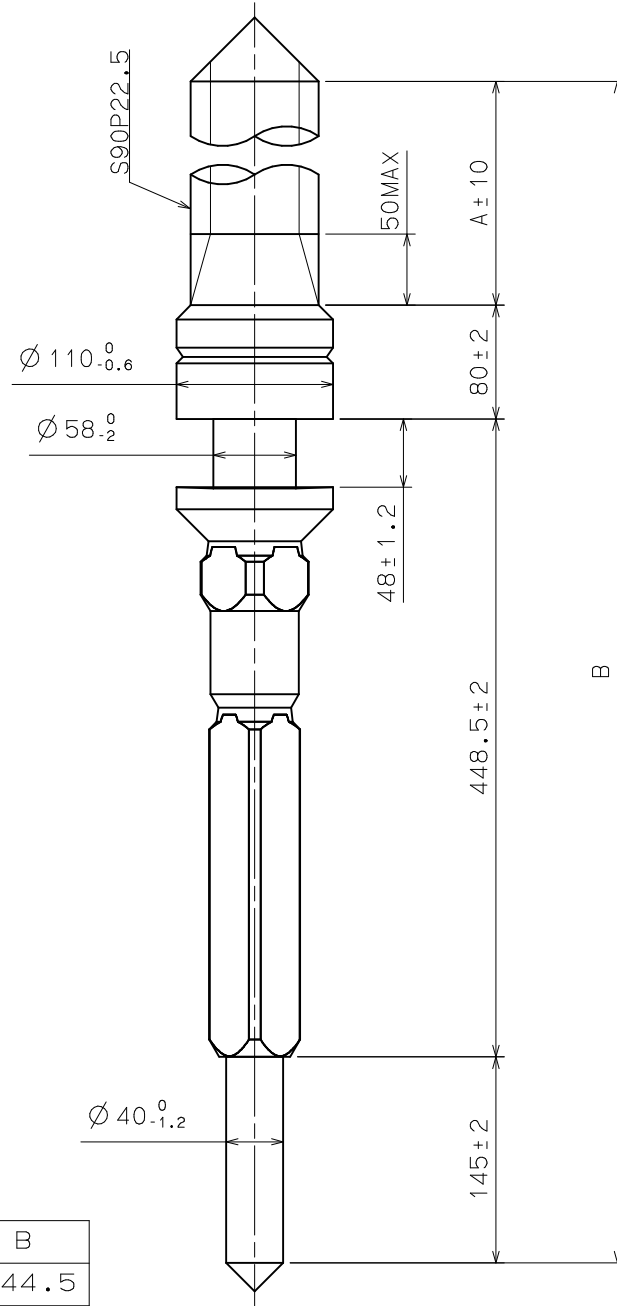
MINUTE HAND FITTING  
 Cannon pinion 分針輪(十反): 0225 422



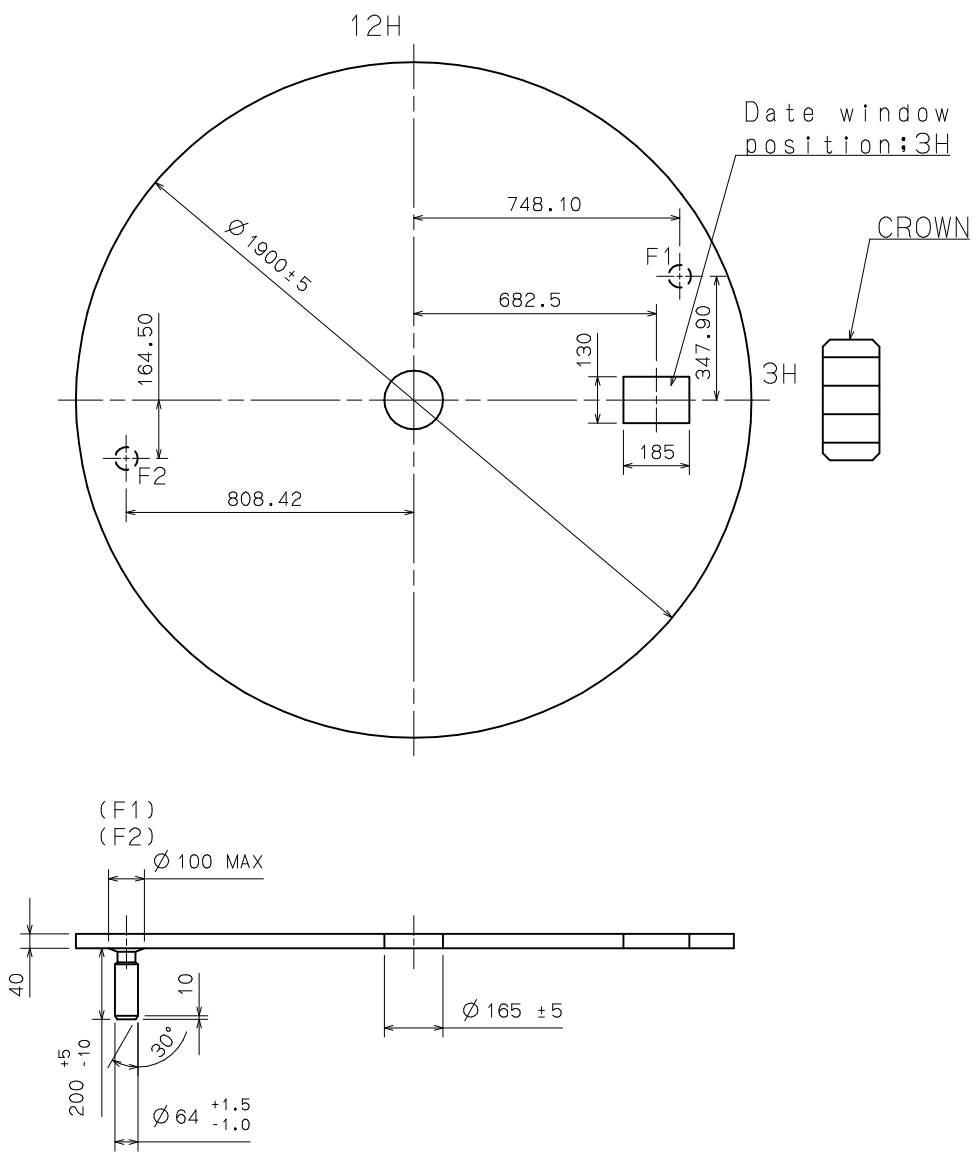
SECOND HAND FITTING  
 Center second pinion 秒針輪: 0245 425



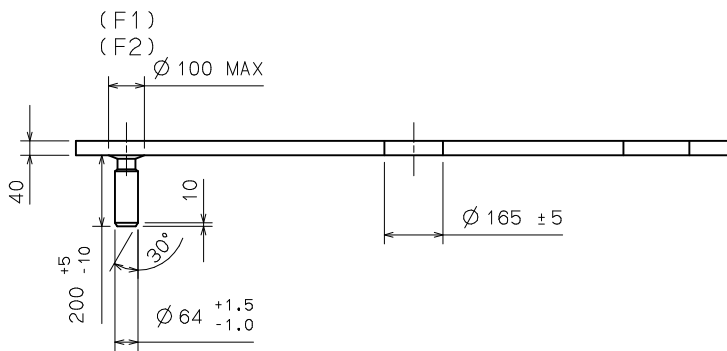
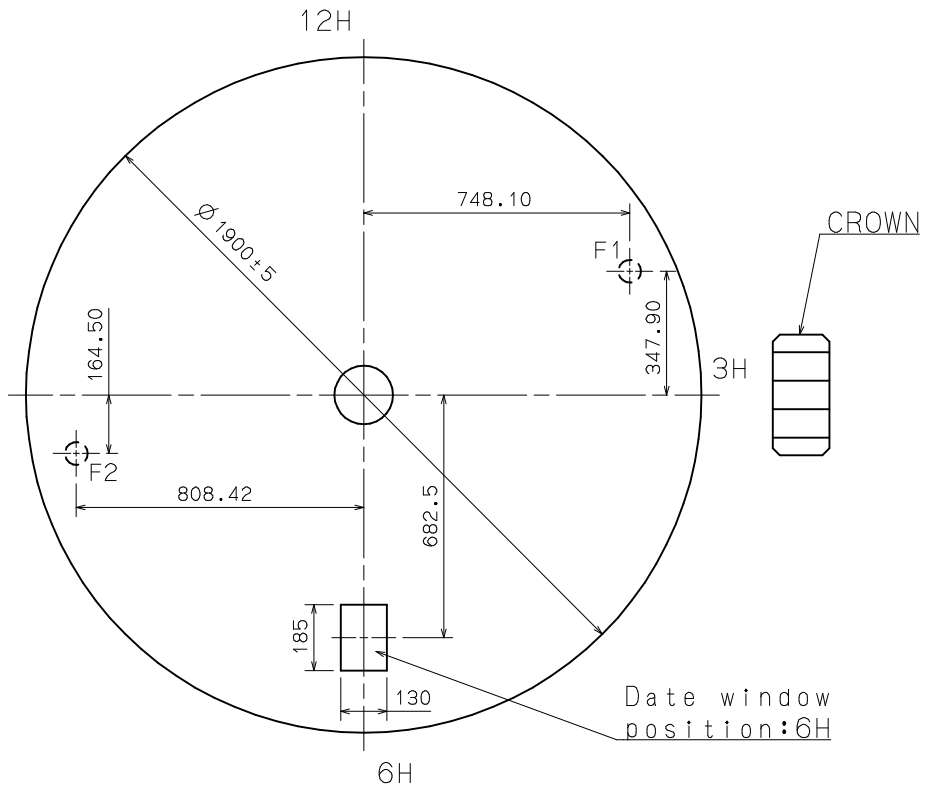
	A	B	C	D	E	F	G	H	t1	t2	t3
TYPE M 一般針高	62	101	137	40	35	26	24	47	15	15	10



Part No.	A	B
0351 247	571	1244.5

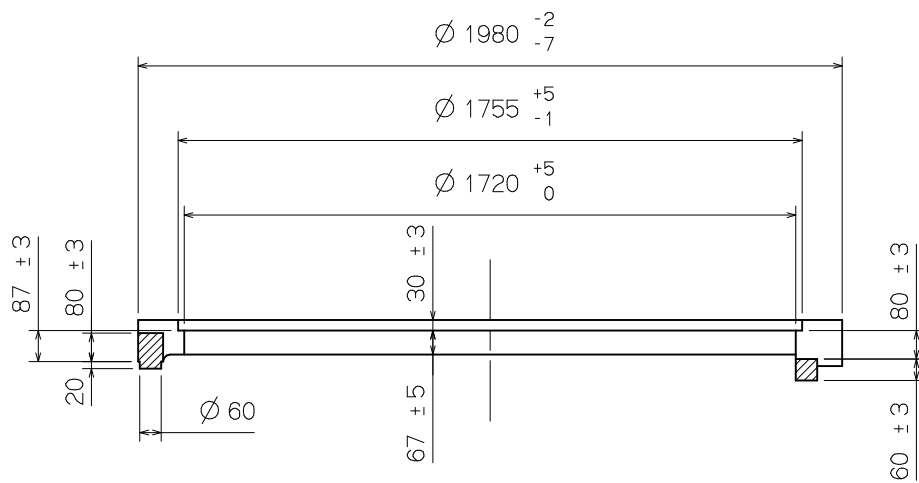
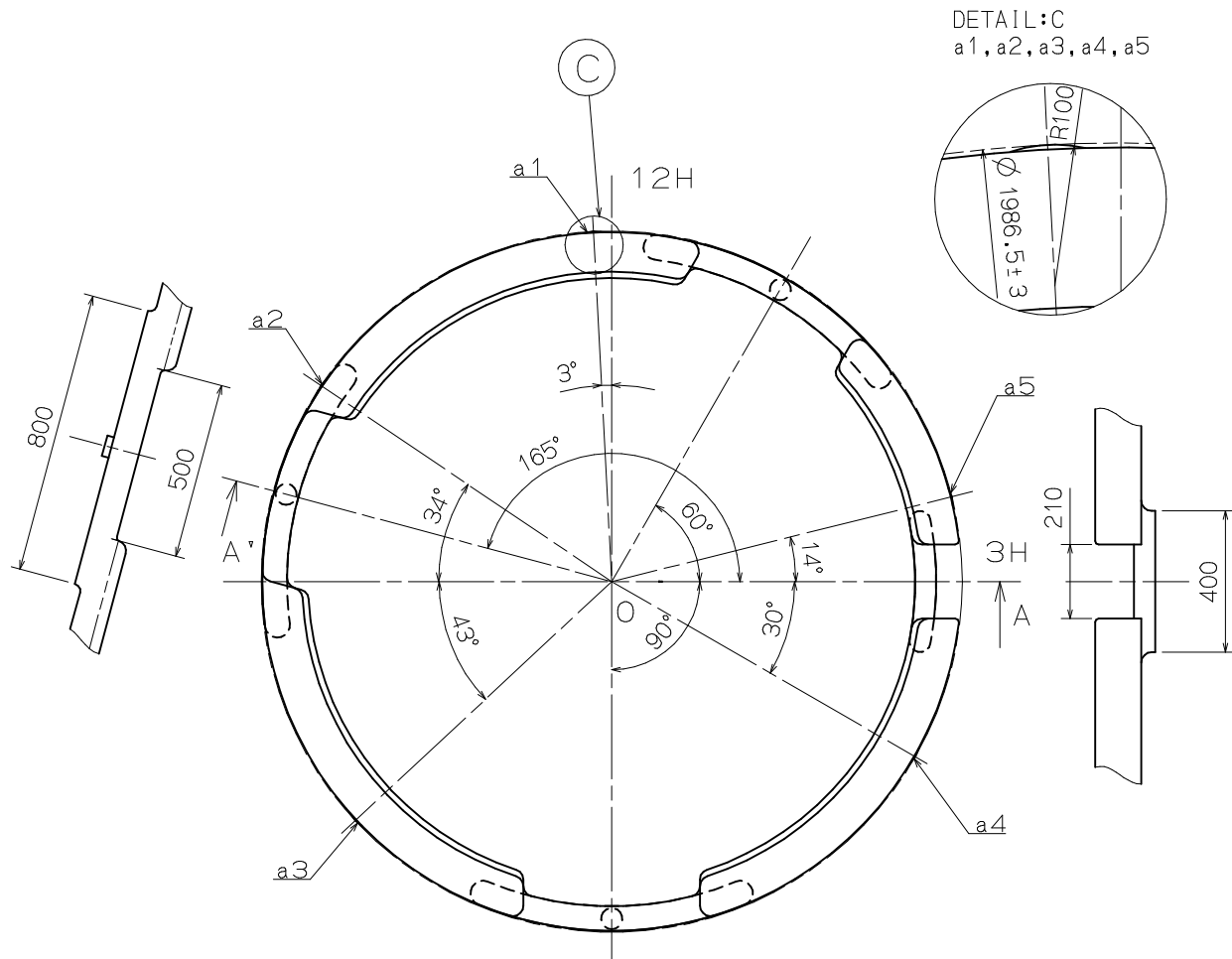






# Casing Ring

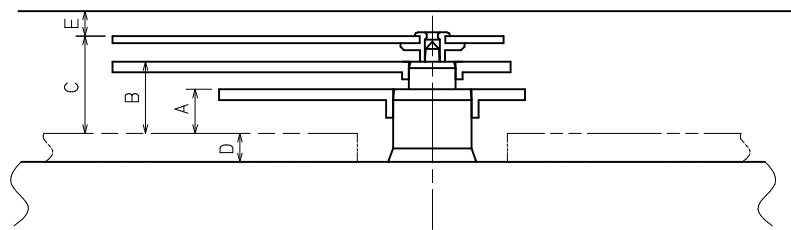
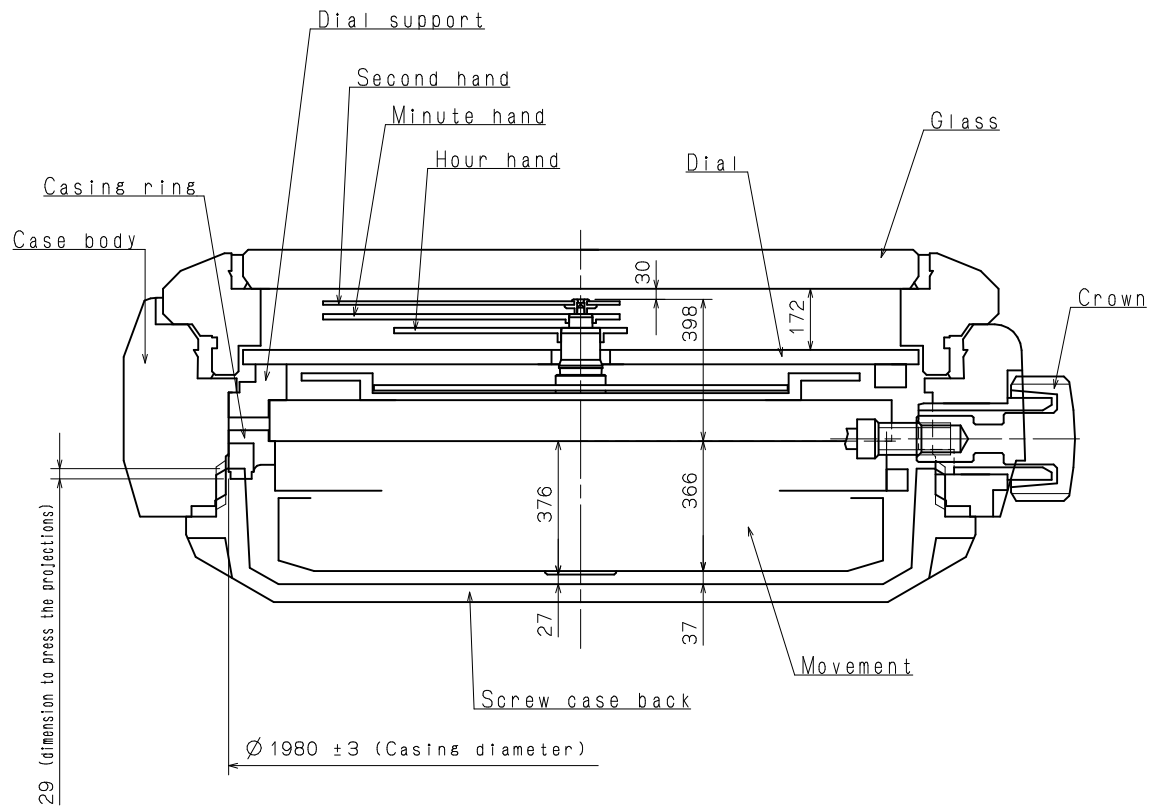
NH05B



A'-O-A section

Unit : 1=1/100mm

Version : 1



	A	B	C	D	E
TYPE M	62	101	137	40	35

